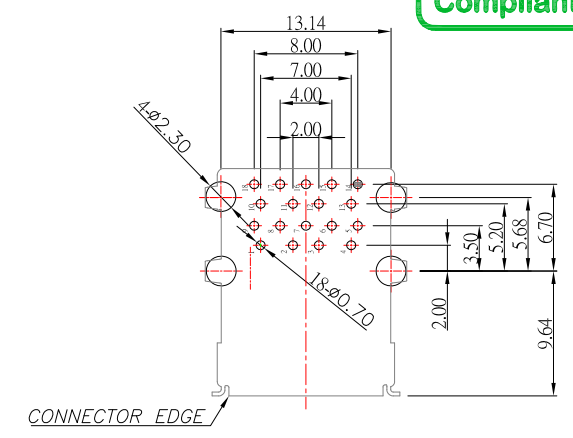
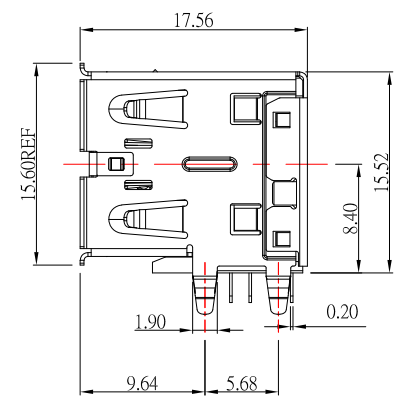
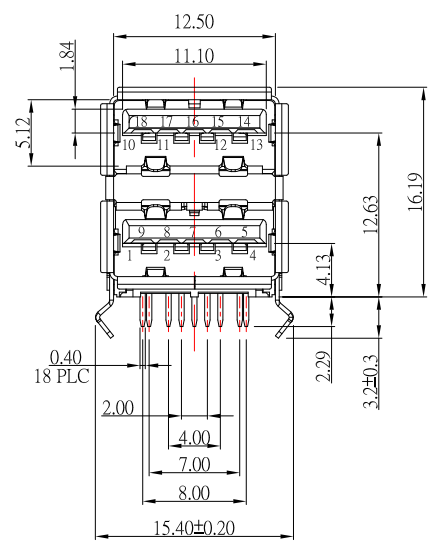
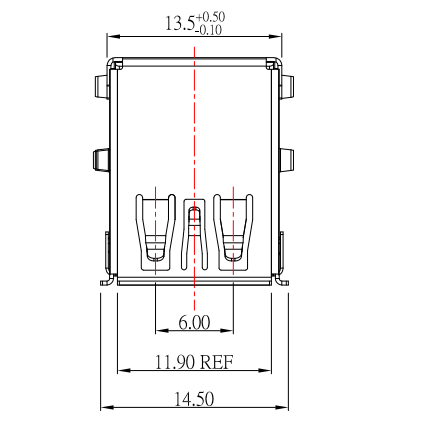


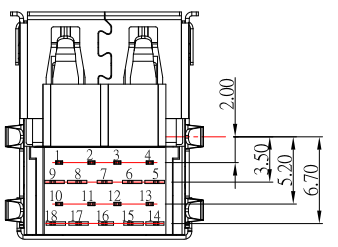


# SUA-210H1A-30x-S277

鍍層厚度：  
 Blank : 1u"  
 2 : 15u"  
 3 : 30u"



PCB LAYOUT REFERENCE



USB 2.0 CONTACT PINS		USB 3.0 CONTACT PINS	
Pin NUMBER	SIGNAL NAME	Pin NUMBER	SIGNAL NAME
1	VBUS	5	StdA_SSRX-
2	D-	6	StdA_SSRX+
3	D+	7	GND_DRAIN
4	GND	8	StdA_SSTX-
Shell	Shield	9	StdA_SSTX+

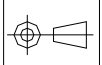
NOTE:

- 1.MATERIAL:
  - 1.1 Inner Insulator: PA9T,Color: Blue
  - 1.2 Housing: LCP,Color: Black
  - 1.2 Contact: Phosphor Bronze (3.0 PIN) Brass(2.0 PIN)
  - 1.3 Shell: SUS
- 2.Finish:
  - 2.1 Contact: Plated Gold in Mating Area ; Tin Plated on Solder Balls ; Nickel under plated overall
  - 2.2 Shell: Nickel under Plated surface layer
- 3.SPECIFICATION:
  - 3.1 Current Rate:1.8 Amperes
  - 3.2 insulator Resistance:100MΩ Min
  - 3.3 Dielectric Strength: 100V AC
  - 3.4 Contact Resistance: 50mΩ Max
  - 3.5 Insertion Force: 35 N Max
  - 3.6 Extraction Force: 10 N Min



TOLERANCE UNLESS OTHERWISE STATED :  
 Up to 5 ±0.2  
 Above 5 ~ 15 ±0.3  
 Above 15 ~ 30 ±0.4  
 Above 30 ~ 50 ±0.5  
 Angle ±0.3°

3RD. ANGEL'S



UNITS

MM

DRAWN BY:	DATE	MAT'L	TITLE	CONNECTOR
Jack Lu	09/20/24			
CHECKED BY:	DATE	FINISH	MODLE	USB 3.0 A/F 雙層 90 度 短體 L:17.56mm
Jacky Chen	09/20/24			
APPROVED BY:	DATE	SCALE	DWG NO.	SUA-210H1A-30x-S277
Tony Kao	09/20/24	1 : 1		
		SHEET NO.	PART NO.	SUA-210H1A-30x-S277
		1 of 1		

1	更新材質	Jack	092024
ITEM NO.	DESCRIPTION	DRAWN	DATE